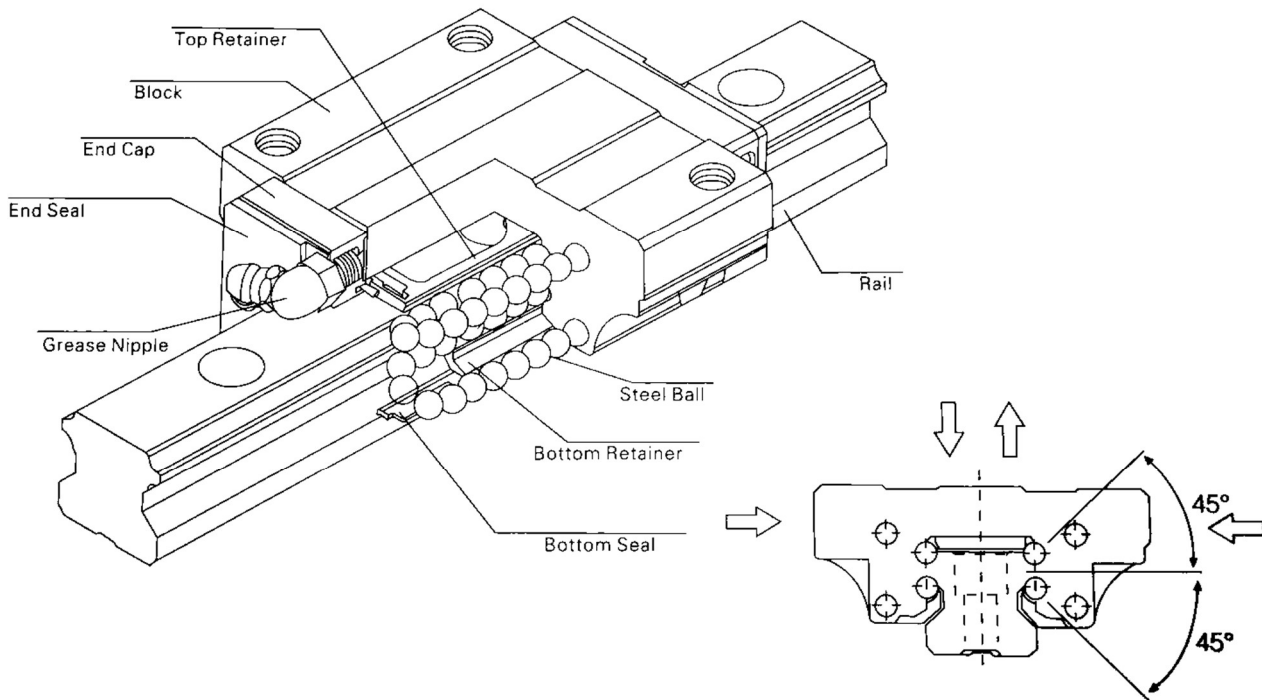


Newton Loopwagen



N	T	R	H	15	A
Series no.				Width	Type
NTRH				15	A: Flens
				20	B: Compact
				25	
				30	
				35	
				40	
				45	

Product Structure



Linear slide dustproof accessoires

Seal code	Sealing method	Dustproof accessories	Application
U	End Seal	Scraper board	Precision detection equipment and other dust-free environment
UU	End seal + bottom seal	Scraper board + bottom dust film	Conventional sealing occasions
UX	End seal + metal scraper	Scraper board + metal scraper	There are iron, sparks and other occasions
UUX	End seal + metal scraper + bottom seal	Scraper board + metal scraper + bottom dust film	There is dust, iron, sparks, impurities and other occasions

Figure 1: Seal code U standard

Dust resistance value

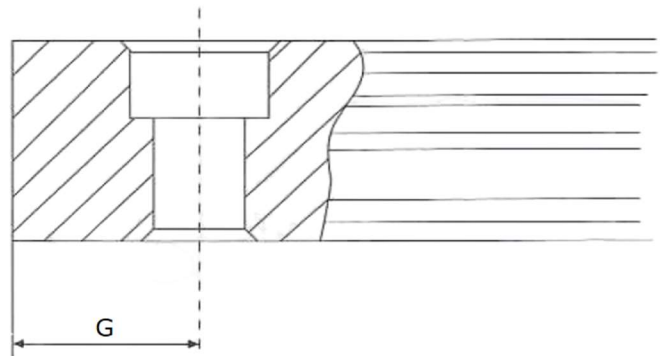
Nominal model	Maximum resistance value
15	2.0
20	2.5
25	3.9
30	7.8
35	11.8
45	19.6
55	19.6
65	34.3
85	34.3

Figure 2: Mentioned values in N (newton)

Specification of G figure

A too big value for dimension G will affect the stability and accuracy of the rail end.

It is recommend to use the following dimensions.



G	Min size	Max size	Recommend size
TR15	6	30	20
TR20	8	30	20
TR25	9	30	20
TR30	11	40	20
TR35	11	40	20
TR45	14	50	25
TR55	16	60	30
TR65	16	75	35
TR85	21	90	45

Figure 3: Mentioned values in mm

Specification of TRH series

Interchangeable

The TRH15, TRH25, TRH45 series are interchangeable with HIWIN HGH & HGW series.

The TRH20, TRH25, TRH30, TRH35 series are interchangeable with THK HSR series.

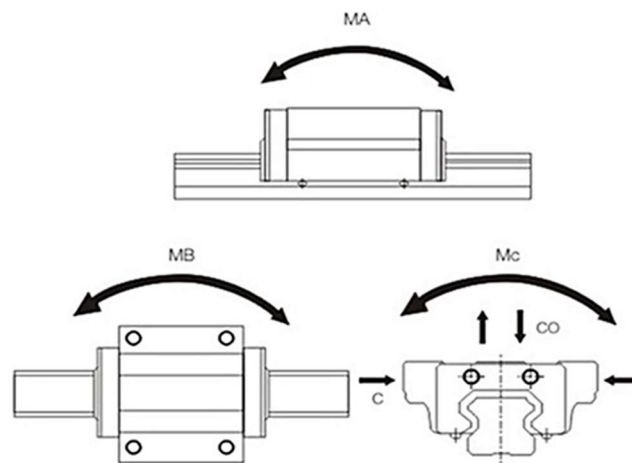
Max. speed

Maximum speed of the linear guide rail is 3 m/sec.

Torque value bolts

Screw model no.	M4	M5	M6	M8	M10	M12	M16
Torque value (Nm)	2.6-4.0	5.1-8.5	8.7-14	21.6-30.5	42.2-67.5	73.5-118	178-295

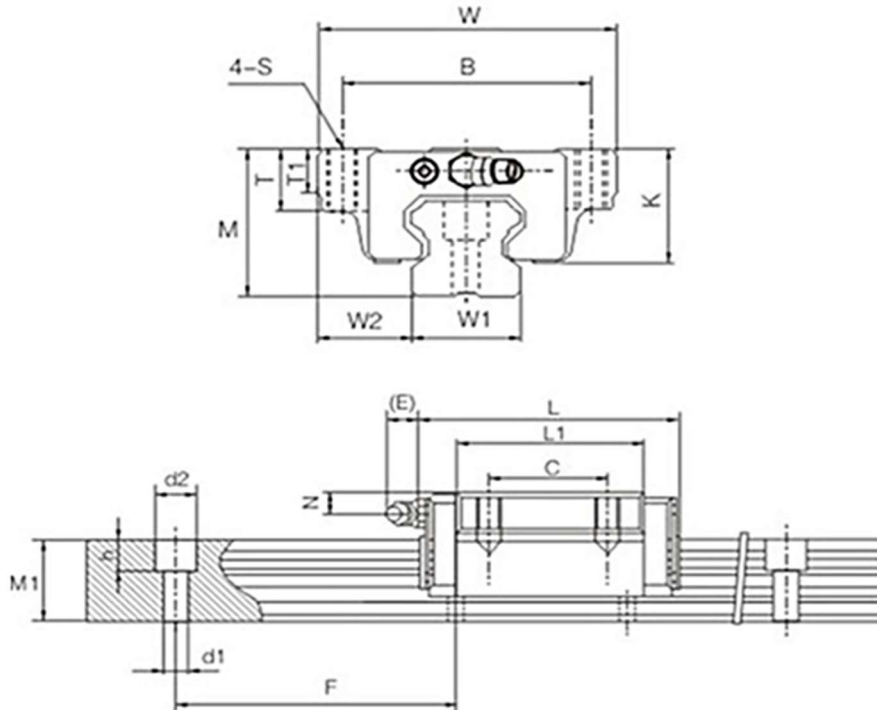
Specifications of TRH allowable statical torque



Model	MA		MB		MC
	1 Block	2 Close blocks	1 Block	2 Close blocks	1 Block
NTRH15	0.07	0.37	0.07	0.37	0.10
NTRH20	0.16	0.82	0.16	0.82	0.23
NTRH20L	0.27	1.4	0.27	1.4	0.31
NTRH25	0.27	1.4	0.27	1.4	0.4
NTRH25L	0.46	2.4	0.46	2.4	0.51
NTRH30	0.43	2.3	0.43	2.3	0.65
NTRH30L	0.73	3.7	0.73	3.7	0.86
NTRH35	0.64	3.4	0.64	3.4	1.0
NTRH35L	1.1	5.6	1.1	5.6	1.4
NTRH45	1.3	6.9	1.3	6.9	2.1
NTRH45L	2.1	10.9	2.1	10.9	2.8
NTRH55	2.2	11.7	2.2	11.7	3.6
NTRH55L	3.7	18.8	3.7	18.8	4.8
NTRH65	4.2	21	4.2	21	6.6
NTRH65L	7.2	35.8	7.2	35.8	8.9
NTRH85	10.2	56.5	10.2	56.5	12.6
NTRH85L	12.4	63.5	12.4	63.5	16.7

Figure 4: Mentioned value's in kNm

Information TRHA

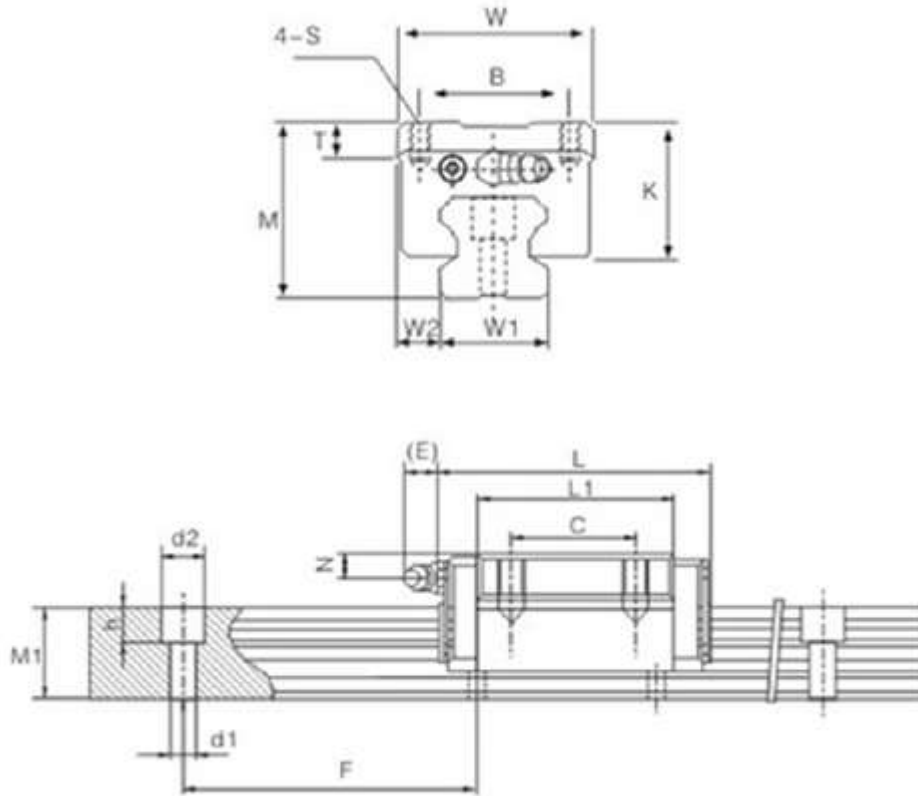


Model	Physical Dimension			Block Dimension									Grease Nipple
	Height M	Width W	Length L	B	C	S	L1	T	T1	K	N	E	Specification
NTRH15A	24	47	61.8	38	30	M5	39.8	8.5	8.5	20	4.3	5.5	G-M4
NTRH20A	30	63	77.4	53	40	M6	50.8	10	10	26	5	12	G-M6
NTRH20AL	30	63	93.4	53	40	M6	66.8	10	10	26	5	12	G-M6
NTRH25A	36	70	83.5	57	45	M8	59.5	16	12	30.5	6	12	G-M6
NTRH25AL	36	70	102.6	57	45	M8	78.6	16	12	30.5	6	12	G-M6
NTRH30A	42	90	100.5	72	52	M10	70.5	18	12	35	7	12	G-M6
NTRH30AL	42	90	123	72	52	M10	93	18	12	35	7	12	G-M6
NTRH35A	48	100	113.9	82	62	M10	80.5	20	14	39.5	8	16	G-M6
NTRH35AL	48	100	139.2	82	62	M10	105.8	20	14	39.5	8	16	G-M6
NTRH45A	60	120	138.5	100	80	M12	97.7	22	15	51	10	16	G-PT1/8
NTRH45AL	60	120	169.5	100	80	M12	128.7	22	15	51	10	16	G-PT1/8
NTRH55A	70	140	163	116	95	M14	118	29	15	57	11	16	G-PT1/8
NTRH55AL	70	140	201	116	95	M14	156.1	29	15	57	11	16	G-PT1/8
NTRH65A	90	170	186	142	110	M16	147	37	23	76	19	16	G-PT1/8
NTRH65AL	90	170	246	142	110	M16	206.5	37	23	76	19	16	G-PT1/8
NTRH85A	110	215	247	185	140	M20	178.6	55	30	94	23	16	G-PT1/8
NTRH85AL	110	215	303	185	140	M20	236	55	30	94	23	16	G-PT1/8

Information TRHA

Model	Rail Dimension					Basic Load Rating		Weight	
	Width W1	W2	Height M1	Pitch F	d1 x d2 x h	c (KN)	Co (KN)	Block (Kg)	Rail (Kg/m)
NTRH15A	15	16	15	60	4.5 x 7.5 x 5.3	8.33	13.5	0.19	1.5
NTRH20A	20	21.5	18	60	6 x 9.5 x 8.5	13.8	23.8	0.42	2.3
NTRH20AL	20	21.5	18	60	6 x 9.5 x 8.5	21.3	31.8	0.53	2.3
NTRH25A	23	23.5	22	60	7 x 11 x 9	19.9	34.4	0.64	3.3
NTRH25AL	23	23.5	22	60	7 x 11 x 9	27.2	45.9	0.83	3.3
NTRH30A	28	31	26	80	9 x 14 x 12	28	46.8	1.11	4.8
NTRH30AL	28	31	26	80	9 x 14 x 12	37.3	62.5	1.46	4.8
NTRH35A	34	33	29	80	9 x 14 x 12	37.3	61.1	1.62	6.6
NTRH35AL	34	33	29	80	9 x 14 x 12	50.2	81.5	2.08	6.6
NTRH45A	45	37.5	38	105	14 x 20 x 17	60	95.6	2.88	11
NTRH45AL	45	37.5	38	105	14 x 20 x 17	80.4	127	3.3	11
NTRH55A	53	43.5	44	120	16 x 23 x 20	88.5	137	4.5	15.1
NTRH55AL	53	43.5	44	120	16 x 23 x 20	119	183	5.7	15.1
NTRH65A	63	53.5	53	150	18 x 26 x 22	141	215	8.5	22.5
NTRH65AL	63	53.5	53	150	18 x 26 x 22	192	286	10.7	22.5
NTRH85A	85	65	65	180	24 x 35 x 28	210	310	17	35.2
NTRH85AL	85	65	65	180	24 x 35 x 28	282	412	23	35.2

Information TRHB



Model	Physical Dimension			Block Dimension								Grease Nipple
	Height M	Width W	Length L	B	C	S	L1	T	K	N	E	Specification
NTRH15B	28	34	61.8	26	26	M4 x 0.7 x 5	39.8	6	24	8.3	5.5	G-M4
NTRH20B	30	44	77.4	32	36	M5 x 0.8 x 6	50.8	8	26	5	12	G-M6
NTRH20BL	30	44	93.4	32	50	M5 x 0.8 x 6	66.8	8	26	5	12	G-M6
NTRH25B	40	48	83.5	35	35	M6 x 8	59.5	10	34.5	10	12	G-M6
NTRH25BL	40	48	102.6	35	50	M6 x 8	78.6	10	34.5	10	12	G-M6
NTRH30B	45	60	100.5	40	40	M8 x 10	70.5	12	38	10	12	G-M6
NTRH30BL	45	60	123	40	60	M8 x 10	93	12	38	10	12	G-M6
NTRH35B	55	70	113.9	50	50	M8 x 12	80.5	12	47.5	15	16	G-M6
NTRH35BL	55	70	139.2	50	72	M8 x 12	105.8	12	47.5	15	16	G-M6
NTRH45B	70	86	138.5	60	60	M10 x 17	97.7	15	61	20	16	G-PT1/8
NTRH45BL	70	86	169.5	60	80	M10 x 17	128.7	15	61	20	16	G-PT1/8
NTRH55B	80	100	163	75	75	M12 x 18	118	18	67	21	16	G-PT1/8
NTRH55BL	80	100	201	75	95	M12 x 18	156.1	18	67	21	16	G-PT1/8
NTRH65B	90	126	186	76	70	M16 x 20	147	23	76	19	16	G-PT1/8
NTRH65BL	90	126	246	76	120	M16 x 20	206.5	23	76	19	16	G-PT1/8
NTRH85B	110	156	247	100	80	M18 x 25	178.6	30	94	23	16	G-PT1/8
NTRH85BL	110	156	303	100	140	M18 x 25	236	30	94	23	16	G-PT1/8

Information TRHB

Model	Rail Dimension					Basic Load Rating		Weight	
	Width W1	W2	Height M1	Pitch F	d1 x d2 x h	c (KN)	Co (KN)	Block (Kg)	Rail (Kg/m)
NTRH15B	15	9.5	15	60	4.5 x 7.5 x 5.3	8.33	13.5	0.2	1.5
NTRH20B	20	12	18	60	6 x 9.5 x 8.5	13.8	23.8	0.34	2.3
NTRH20BL	20	12	18	60	6 x 9.5 x 8.5	21.3	31.8	0.43	2.3
NTRH25B	23	12.5	22	60	7 x 11 x 9	19.9	34.4	0.56	3.3
NTRH25BL	23	12.5	22	60	7 x 11 x 9	27.2	45.9	0.73	3.3
NTRH30B	28	16	26	80	9 x 14 x 12	28	46.8	0.91	4.8
NTRH30BL	28	16	26	80	9 x 14 x 12	37.3	62.5	1.18	4.8
NTRH35B	34	18	29	80	9 x 14 x 12	37.3	61.1	1.54	6.6
NTRH35BL	34	18	29	80	9 x 14 x 12	50.2	81.5	1.99	6.6
NTRH45B	45	20.5	38	105	14 x 20 x 17	60	95.6	2.92	11
NTRH45BL	45	20.5	38	105	14 x 20 x 17	80.4	127	3.1	11
NTRH55B	53	23.5	44	120	16 x 23 x 20	88.5	137	4.3	15.1
NTRH55BL	53	23.5	44	120	16 x 23 x 20	119	183	5.4	15.1
NTRH65B	63	31.5	53	150	18 x 26 x 22	141	215	7.3	22.5
NTRH65BL	63	31.5	53	150	18 x 26 x 22	192	286	9.3	22.5
NTRH85B	85	35.5	65	180	24 x 35 x 28	210	310	13	35.2
NTRH85BL	85	35.5	65	180	24 x 35 x 28	282	412	16	35.2