

Newton electric 3-phase motors



Motor	63	B14	,	0.25	kW	,	2P
	Frame	Flange		Power			Poles
	56	B14		0.09			2P
	63			0.12			4P
	71			0.18			
	80			0.25			
				0.37			
				0.55			

Specifications 2P motors

Type	Rate Output kW	Efficiency class	Full load speed rpm	Full load current A	Efficiency (%)			Power factor (cos)			Full load torque N.m.	Locked current Ist/In	Locked torque Tst/Tn	Max torque Tm/Tn	Net weight kg	TechniComponents in stock*
					1/1 FL	3/4 FL	1/2 FL	1/1 FL	3/4 FL	1/2 FL						
230/400V 50Hz synchronous speed 3000 rpm (2 poles)																
56B14	0.09	IE1	2700	0.37	51.0	58.4	54.0	0.70	0.65	0.53	0.32	4.0	2.2	2.2	3.2	On request
56B14	0.12	IE1	2700	0.45	55.0	60.3	57.8	0.70	0.67	0.55	0.42	4.0	2.2	2.2	3.5	On request
63B14	0.18	IE1	2720	0.53	65.0	63.9	61.9	0.80	0.75	0.64	0.63	5.5	2.2	2.2	4.3	Yes
63B14	0.25	IE1	2720	0.66	68.0	67.4	65.2	0.81	0.76	0.66	0.88	5.5	2.2	2.2	4.5	Yes
71B14	0.37	IE1	2740	0.94	70.0	69.5	67.2	0.81	0.77	0.66	1.29	6.1	2.2	2.2	5.2	On request
71B14	0.55	IE1	2740	1.34	73.0	71.9	69.2	0.82	0.77	0.66	1.92	6.1	2.2	2.3	6.2	On request

Specifications 4P motors

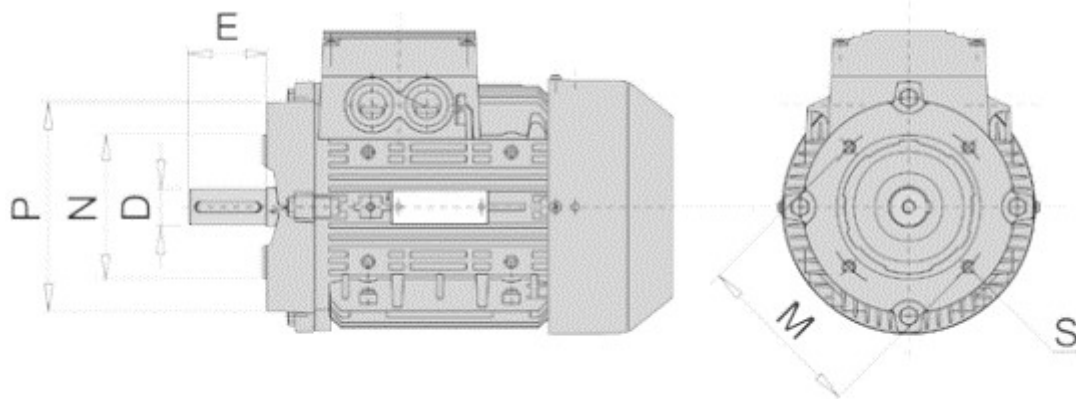
Type	Rate Output kW	Efficiency class	Full load speed rpm	Full load current A	Efficiency (%)			Power factor (cos)			Full load torque N.m.	Locked current Ist/In	Locked torque Tst/Tn	Max torque Tm/Tn	Net weight kg	TechniComponents in stock*
					1/1 FL	3/4 FL	1/2 FL	1/1 FL	3/4 FL	1/2 FL						
230/400V 50Hz synchronous speed 1500 rpm (4 poles)																
56B14	0.06	IE1	1310	0.30	48.0	47.0	41.0	0.63	0.58	0.47	0.44	4.0	2.1	2.2	3.2	On request
56B14	0.09	IE1	1310	0.42	49.0	49.5	44.0	0.61	0.60	0.48	0.66	4.0	2.1	2.2	3.6	Yes
63B14	0.12	IE1	1310	0.44	57.0	55.8	53.4	0.72	0.62	0.49	0.88	4.4	2.1	2.2	4.3	Yes
63B14	0.18	IE1	1310	0.62	60.0	61.5	54.0	0.73	0.63	0.51	1.31	4.4	2.1	2.2	4.5	Yes
71B14	0.25	IE1	1330	0.79	65.0	63.6	59.9	0.74	0.65	0.55	1.80	5.2	2.1	2.2	5.3	Yes
71B14	0.37	IE1	1330	1.12	67.0	66.3	61.2	0.75	0.66	0.55	2.66	5.2	2.1	2.2	5.5	Yes
80B14	0.55	IE1	1390	1.43	75.0	68.1	68.1	0.75	0.66	0.55	3.78	5.7	2.3	2.3	9	Yes

* subject to prior sales

Flange dimension

B14a – flange (“C” face)

The flange diameter is smaller than the motor frame diameter. The holes are tapped. Available for frame sizes 56 to 132mm.



Type	Shaft		B14a flange				Tapped hole in the shaft end
	Diameter D	Length E	PCD M	Spigot N	Diameter P	Hole S	
56B14	9	20	65	50	80	M5	M3 x 9mm
63B14	11	23	75	60	90	M5	M4 x 13mm
71B14	14	30	85	70	105	M6	M5 x 12,5 mm
80B14	19	40	100	80	120	M6	M6 x 16mm