

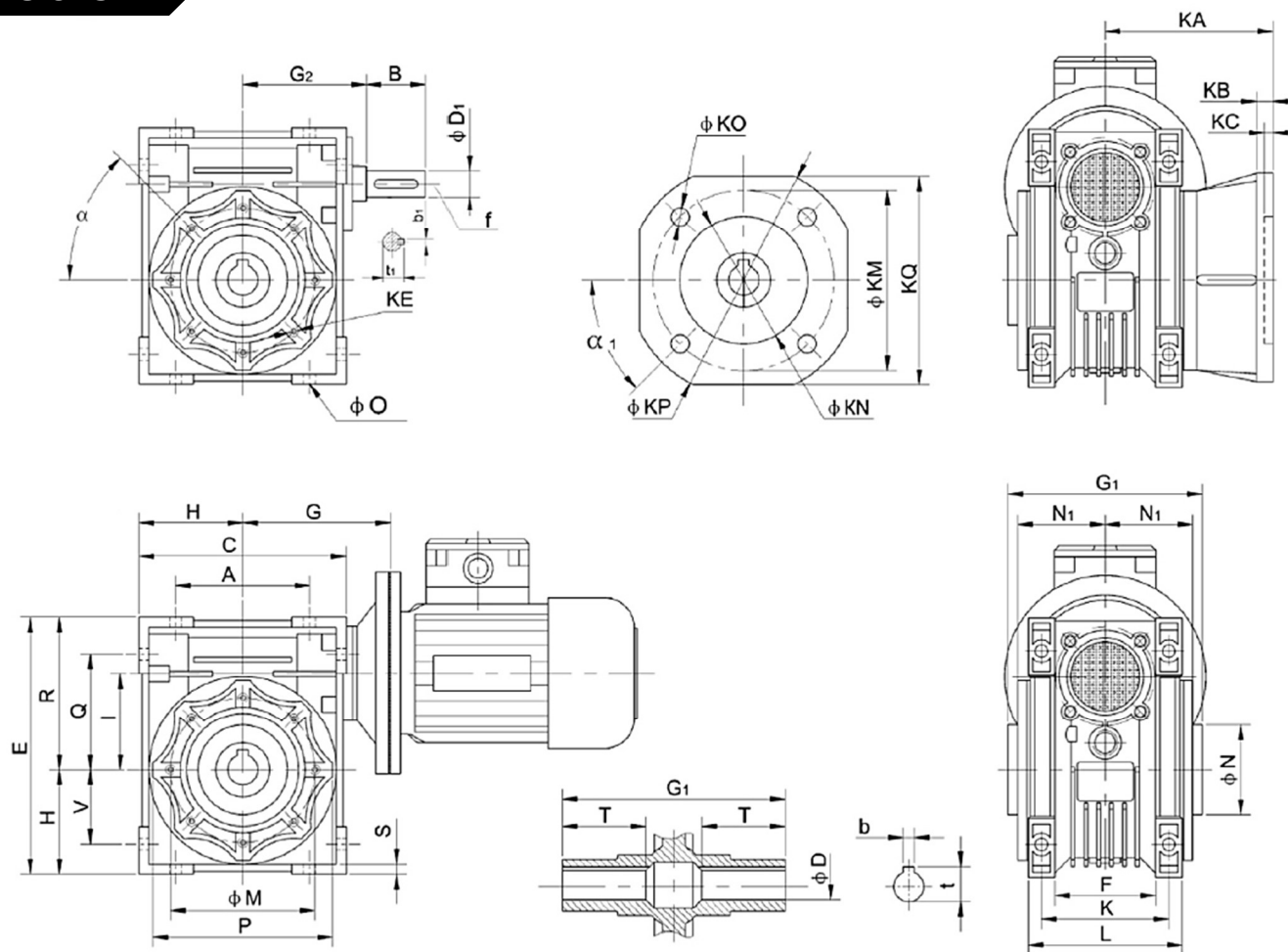
NDK (Newton) Vertragskasten



NDK 30 , i = 10 , 56B14

Size	Transmission (i)	Motorsize
30	i = 7.5	56B14
40	i = 10	63B14
50	i = 15	71B14
63	i = 20	80B14
75	i = 25	
90	i = 30	
110	i = 40	
130	i = 50	
	i = 60	
	i = 70	
	i = 80	
	i = 90	
	i = 100	

Reducer dimensions



Size	A	B	C	D (H7)	D ₁ (J6)	E	F	G	G ₁	G ₂	H	I	L	M	N (h8)	O	P	Q	R	S	T	V	K
30	54	20	80	14	9	97	32	55	63	51	40	30	56	65	55	6.5	75	44	57	5.5	21	27	44
40	70	23	100	18 (19)	11	121.5	43	70	78	60	50	40	71	75	60	6.5	87	55	71.5	6.5	26	35	60
50	80	30	120	25 (24)	14	144	49	80	92	74	60	50	85	85	70	8.5	100	64	84	7	30	40	70
63	100	40	144	25 (28)	19	174	67	95	112	90	72	63	103	95	80	8.5	110	80	102	8	36	50	85
75	120	50	172	28 (35)	24	205	70	112.5	120	105	86	75	112	115	95	11	140	93	119	10	40	60	90
90	140	50	208	35 (38)	24	238	74	129.5	140	125	103	90	130	130	110	13	160	102	135	11	45	70	100
110	170	60	252.5	42	28	295	-	160	155	142	127.5	110	144	165	130	14	200	125	167.5	14	50	85	115
130	200	80	292.5	45	30	335	-	180	170	162	147.5	130	155	215	180	16	250	140	187.5	15	60	100	120
150	240	80	340	50	35	400	-	210	200	192	170	150	185	215	180	18	250	180	230	18	72.5	120	145

Size	KA			KB			KC			KE	α	α	KM			KN (H8)			KO			KP			KQ			b	b ₁	f	t	t ₁	kg
	F	FB	FL	F	FB	FL	F	FB	FL				F	FB	FL	F	FB	FL	F	FB	FL	F	FB	FL	F	FB	FL						
30	54.5	-	-	6	-	-	4	-	-	M6x11(n ₁ 4)	0°	45°	68	-	-	50	-	-	6.5(n ₁ 4)	-	-	80	-	-	70	-	-	5	3	-	16.3	10.2	1.2
40	67	76.5	97	7	9	7	4	5	4	M6x8(n ₁ 4)	45°	45°	87	115	87	60	95	87	9(n ₁ 4)	9.5(n ₁ 4)	9(n ₁ 4)	110	140	110	95	-	95	6 (6)	4	-	20.8 (21.8)	12.5	2.3
50	90	87.5	120	9	10	9	5	5	5	M8x10(n ₁ 4)	45°	45°	90	130	90	70	110	90	11(n ₁ 4)	9.5(n ₁ 4)	11(n ₁ 4)	125	160	125	110	-	110	8 (8)	5	M6	28.3 (27.3)	16.0	3.5
63	82	99	112	10	11	10	6	5	6	M8x14(n ₁ 8)	45°	45°	150	165	150	115	130	150	11(n ₁ 4)	11(n ₁ 4)	11(n ₁ 4)	180	200	180	142	-	142	8 (8)	6	M6	28.3 (31.3)	21.5	6.2
75	111	-	-	13	-	-	6	-	-	M8x14(n ₁ 8)	45°	45°	165	-	-	130	-	-	14(n ₁ 4)	-	-	200	-	-	170	-	-	8 (10)	8	M8	31.8 (38.3)	27.0	9
90	111	-	-	13	-	-	6	-	-	M10x18(n ₁ 8)	45°	45°	175	-	-	152	-	-	14(n ₁ 4)	-	-	210	-	-	200	-	-	10 (10)	8	M8	38.3 (41.3)	27.0	13
110	131	-	-	15	-	-	6	-	-	M10x18(n ₁ 8)	45°	45°	230	-	-	170	-	-	14(n ₁ 8)	-	-	280	-	-	260	-	-	12	8	M10	45.3	31.0	35
130	140	-	-	15	-	-	6	-	-	M12x21(n ₁ 8)	45°	22.5°	255	-	-	180	-	-	16(n ₁ 8)	-	-	320	-	-	290	-	-	14	8	M10	48.8	33.0	48
150	155	-	-	15	-	-	6	-	-	M12x21(n ₁ 8)	45°	22.5°	255	-	-	180	-	-	16(n ₁ 8)	-	-	320	-	-	290	-	-	14	10	M12	53.8	38.0	84