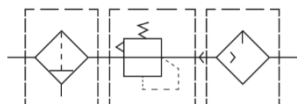


PVEIC Series Air Source Treatment Unit



PVEIC



P	V	E	I	C	3010	-	1/4	-	-	-	-	-	-	-	-
Series no.		Body size	Port size	Drain type	Pressure gauge code	Bracket code	Scale unit	Filter precision	Thread type						
PVEIC		3010	1/4"	Blank: Manual	Blank: with pressure gauge	Blank: with bracket	Bar	Blank: 25µm	Blank: G						

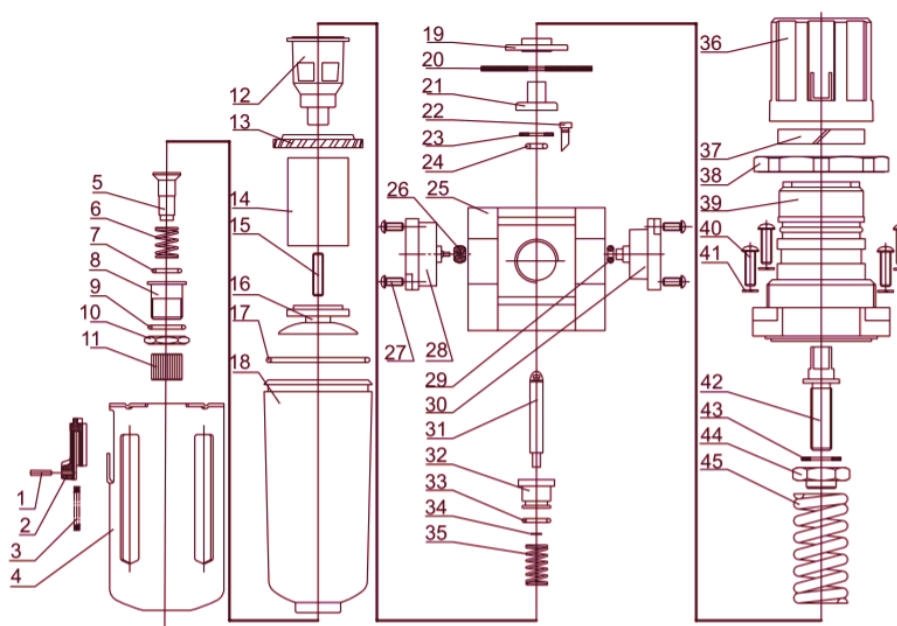
Specifications

Model	PVEIC3010-1/4
Guaranteed. Pressure resistance (bar)	15
Max. working pressure (bar)	10
Rated flow (L/min)*	1874
Working temperature (°C)	5~60
Filter precision	40µm
Recommend oil	Turbine No. 1 oil ISOVG32
Bowl material	Polycarbonate
Bowl guard	Available
Pressure adjusting rang (bar)	1.5~8.5
Valve type	With overflow

*The above information is based on 8.0 bar supply pressure and 6.3 bar set pressure.

Internal Structure

PVEIW-3000-1/4

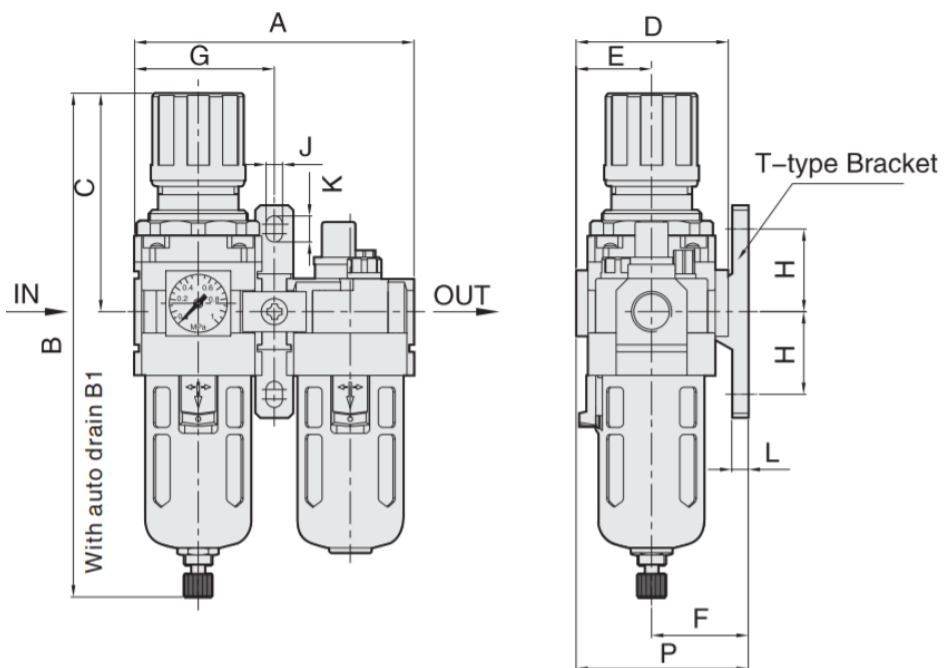


No.	Part name	Qty	Material
1	Valve core	1	Brass
2	Spring	1	Stainless steel
3	O-ring	1	NBR
4	Drain valve	1	Brass
5	O-ring	1	NBR
6	Hex nut	1	Brass
7	Nut	1	Brass
8	Pin	1	ABS
9	Lock	1	ABS
10	Spring	1	Stainless steel
11	Bowl guard	1	Carbon steel
12	Overflow valve seat	1	ZZnAl4_1
13	Whirlwing blade	1	ABS
14	Filter element	1	Brass
15	Bolt	1	Carbon steel
16	Drain board	1	ABS
17	O-ring	1	NBR
18	Water cup	1	Polycarbonate
19	Diaphragm palle	1	Carbon steel
20	Diaphragm	1	NBR
21	Diaphragm seat	1	Brass
22	Pipe	1	POM
23	Retainer ring	1	Carbon steel

No.	Part name	Qty	Material
24	O-ring	1	NBR
25	Regulator body	1	Aluminum
26	Seal	1	NBR
27	Cross screw	4	Carbon steel
28	Plastic connection	1	POM
29	Seal	1	NBR
30	Connection	1	ABC12
31	Spool	1	PHb59-1+NBR
32	Valve core	1	Brass
33	O-ring	1	NBR
34	Retainer	1	Steel plate
35	Spring	1	Stainless steel
36	Regulate handle	1	Reinforce nylon
37	Symbol ring	1	Reinforce nylon
38	Nut	1	Reinforce nylon
39	Valve core	1	Reinforce nylon
40	Cross screw	4	Carbon steel
41	Spring washer	4	Carbon steel
42	Regulate bolt	1	Carbon steel
43	Washer	1	POM
44	Regulate nute	1	Carbon steel
45	Spring	1	Carbon steel

Main dimensions

PVEIC3010-G1/4



(mm)

Model	Port size (G)	A	B	B1	C	D	E	F	G	H	J	K	L	P
PVEIC3000	1/4"	118	211	224.5	92.5	64	32	41	59.5	35	7	11	7	73