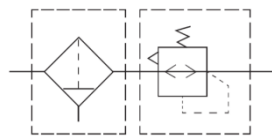


PVER Series Air Source Treatment Unit



PVER



P	V	E	R	-	-	-	-	-	-	-	-	-	-	-
Series no.	Body size	Port size	Drain type	Pressure gauge code	Bracket code	Scale unit	Filter precision	Thread type						
PVER	2000 3000 4000 5000	2000: 1/8" 3000: 1/4" 4000: 3/8" 4000: 1/2" 5000: 3/4" 5000: 1"	Blank: Manual	Blank: with pressure gauge	Blank: with bracket	Bar	Blank: 25µm	Blank: G						

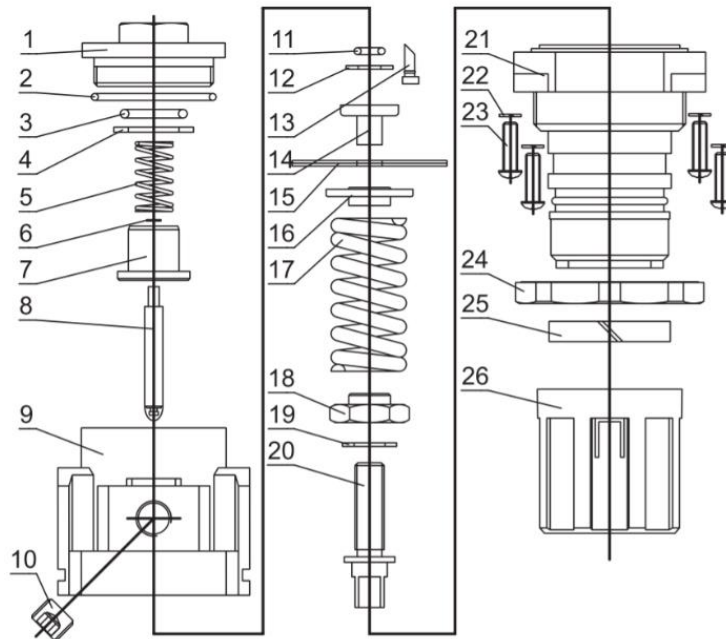
Specifications

Model	PVER2000	PVER3000	PVER4000	PVER5000
Guaranteed pressure resistance (bar)	15			
Max. working pressure (bar)	10			
Working temperature (°C)	5~60			
Pressure adjusting rang (bar)	0.5~8.5			
Valve type	With overflow			

Model	Rated flow (L/min)*	Pressure gaugethread size (G)	Weight (kg)
PVER2000-1/8	1178	1/8	0.27
PVER3000-1/4	1200	1/8	0.41
PVER4000-3/8	5020	1/8	0.84
PVER4000-1/2	5312	1/4	0.94
PVER5000-3/4	6400	1/4	1.19
PVER5000-1	6600	1/4	

* The above information is based on 8 bar supply pressure and 6.3 bar set pressure.

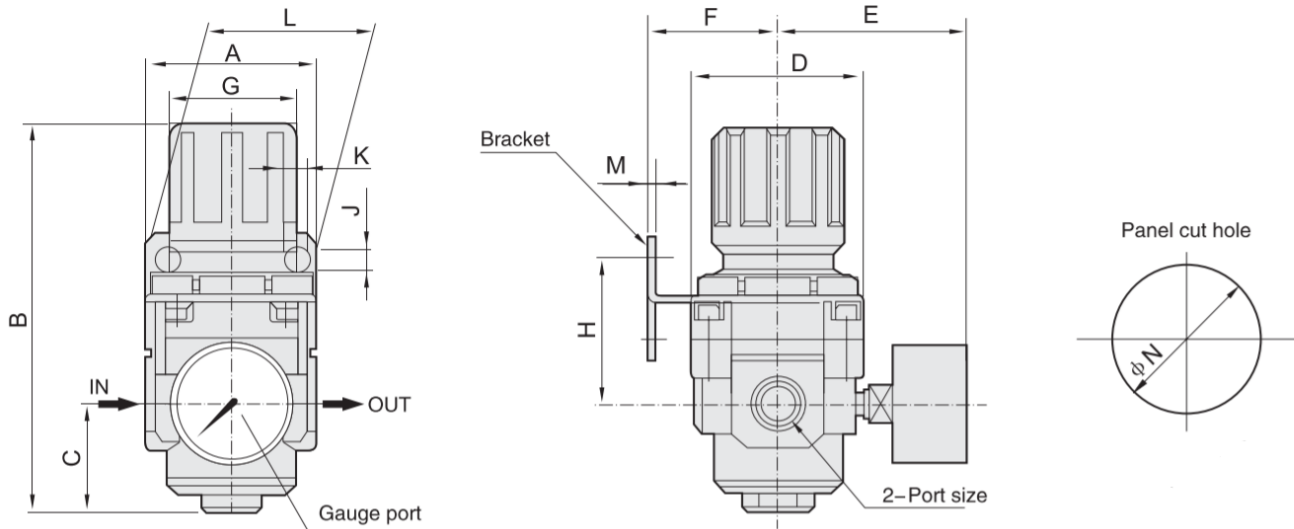
Internal Structure



No.	Part name	Qty	Material
1	Regulator seat	1	ZZnAl4- 1
2	O-ring	1	NBR
3	O-ring	1	NBR
4	Washer	1	Carbon steel
5	Spring	1	Stainless steel
6	Retainer ring	1	Carbon steel
7	Valve core	1	Brass
8	Spool	1	Brass + NBR
9	Valve body	1	Aluminum
10	Plug	1	Carbon steel
11	O-ring	1	NBR
12	Retamer ring	1	Carbon steel
13	Pipe	1	POM

No.	Part name	Qty	Material
14	Diaphragm seat	1	Brass
15	Diaphragm	1	NBR
16	Spring seat	1	Carbon steel
17	Spring	1	Carbon steel
18	Regulate nut	1	Carbon steel
19	Washer	1	POM
20	Regulate nut	1	Carbon steel
21	Valve core	1	Reinforce nylon
22	Spring washer	4	Carbon steel
23	Cross screw	4	Carbon steel
24	Nut	1	Reinforce nylon
25	Symbol ring	1	Reinforce nylon
26	Regulate handle	1	Reinforce nylon

Main dimensions



(mm)

Model	Port size (G)	A	B	C	D	E	F
PVER2000	1/8"	40	95	17	40	56.8	30
PVER3000	1/4"	53	127.5	35	53	60.8	39
PVER4000	3/8"-1/2"	70	149.5	37.5	70	65.5	49.2
PVER5000	3/4"-1"	90	168	48	90	75.5	49.2
Model	G	H	J	K	L	M	N
PVER2000	34	44	5.4	15.4	55	2.3	33.5
PVER3000	40	46	6.5	8	53	2.3	42.5
PVER4000	54	54	8.5	10.5	70	2.3	52.5
PVER5000	54	62	8.5	10.5	70	2.3	52.5

