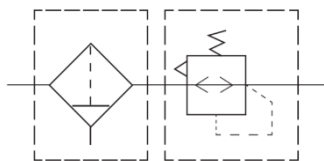


PVEW Series Air Source Treatment Unit



PVEW



P	V	E	W		-		-		-		-		-		-		-	
Series no.		Body size		Port size		Drain type		Pressure gauge code		Bracket code		Scale unit		Filter precision		Thread type		
PVEW		2000 3000 4000 5000		2000: 1/8" 3000: 1/4" 4000: 3/8" 4000: 1/2" 5000: 3/4" 5000: 1"		Blank: Manual		Blank: with pressure gauge		Blank: with bracket		Bar		Blank: 25µm		Blank: G		

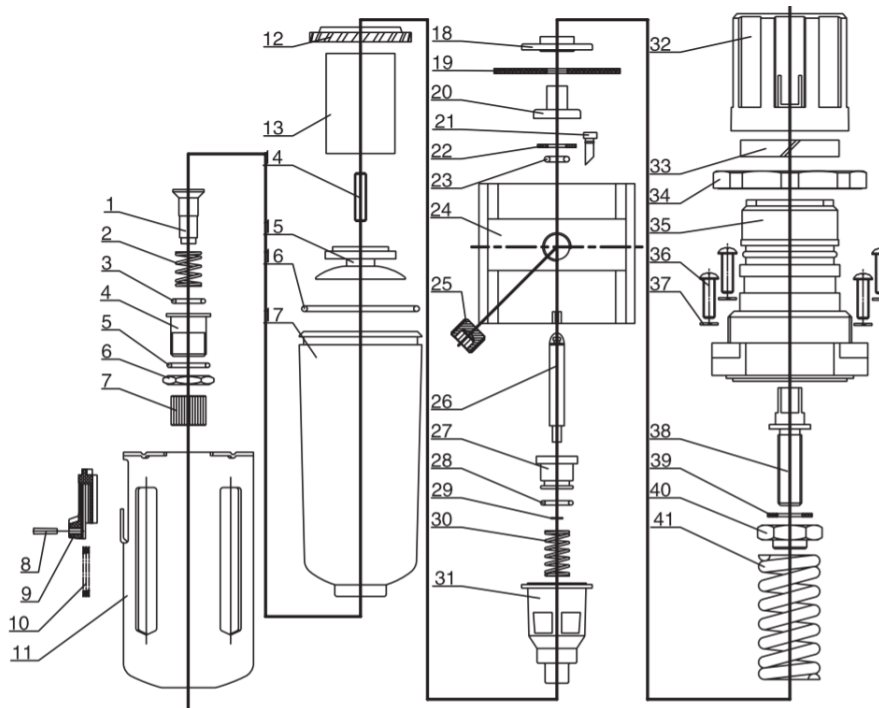
Specifications

Model	PVEW2000	PVEW3000	PVEW4000	PVEW5000
Proof pressure (bar)	15			
Max. working pressure (bar)	10			
Working temperature (°C)	5~60			
Filter precision	25µm			
Bowl material	Polycarbonate			
Bowl guard	None	Available		
Pressure adjusting rang (bar)	1.5~8.5			
Valve type	With overflow			

Model	Rated flow (L/min)*	Pressure gaugethread size (G)	Weight (kg)
PVEW2000-1/8	1078	1/8	0.09
PVEW3000-1/4	1998	1/4	0.36
PVEW4000-3/8	5108	3/8	0.56
PVEW4000-1/2	5211	1/2	1.15
PVEW5000-3/4	6200	3/4	1.21
PVEW5000-1	6400	1	1.70

* The above information is based on 8 bar supply pressure and 6.3 bar set pressure.

Internal Structure



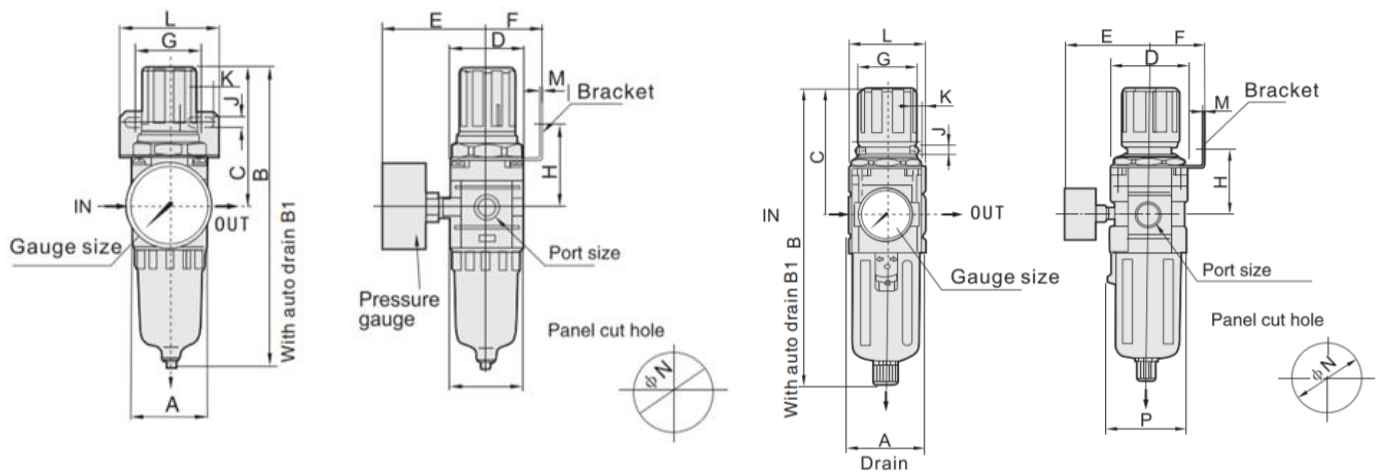
No.	Part name	Qty	Material
1	Valve core	1	Brass
2	Spring	1	Stainless steel
3	O-ring	1	NBR
4	Drain valve	1	Brass
5	O-ring	1	NBR
6	Hex nut	1	Brass
7	Nut	1	Brass
8	Pin	1	ABS
9	Lock	1	ABS
10	Spring	1	Stainless steel
11	Bowl guard	1	Carbon steel
12	Whirlwing blade	1	ABS
13	Filter element	1	Brass
14	Bolt	1	Carbon steel
15	Drain board	1	ABS
16	O-ring	1	NBR
17	Water cup	1	Polycarbonate
18	Diaphragm pale	1	Carbon steel
19	Diaphragm	1	NBR
20	Diaphragm seat	1	Brass
21	Pipe	1	POM

No.	Part name	Qty	Material
22	Retainer ring	1	Carbon steel
23	O-ring	1	NBR
24	Regulator body	1	Aluminum
25	Plug	1	Carbon steel
26	Spool	1	Brass + NBR
27	Valve core	1	Brass
28	O-ring	1	NBR
29	Retainer ring	1	Carbon steel
30	Spring	1	Stainless steel
31	Overflow valve seat	1	ZZnAl4-1
32	Regulate handle	1	Reinforce nylon
33	Symbol ring	1	Reinforce nylon
34	Nut	1	Reinforce nylon
35	Valve core	1	Reinforce nylon
36	Cross screw	4	Carbon steel
37	Spring washer	4	Carbon steel
38	Regulate bolt	1	Carbon steel
39	Washer	1	POM
40	Regulate nut	1	Carbon steel
41	Spring	1	Carbon steel

Main dimensions

PVEW2000

PVEW3000-PVEW5000



(mm)

Model	Port size (G)	A	B	B1	C	D	E	F
PVEW2000	1/8"	40	164.5	202.5	78	40	56.8	30
PVEW3000	1/4"	53	211	224.5	92.5	53	60.8	39
PVEW4000	3/8"-1/2"	70	262	265	112	70	70.5	49.2
PVEW5000	3/4"-1"	90	338	341	116	90	75.5	49.2

Model	G	H	J	K	L	M	N	P
PVEW2000	34	43.5	5.4	15.4	55	2.3	33.5	40
PVEW3000	40	46	6.5	8	53	2.3	42.5	56
PVEW4000	54	53.5	8.5	10.5	70	2.3	52.5	73
PVEW5000	54	62	8.5	10.5	70	2.3	52.5	90